

Concealed wall installation box -

35 205 970 90

- female thread 1/2" connection
- dust cover
- anti-water packing



Required miscellaneous



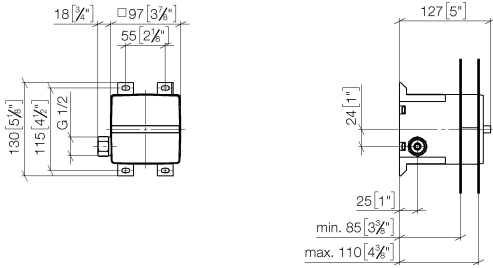
WATER POINTS Adapter plate - 12 305 970 90

- adapter plate for mounting concealed rough parts 35 205 970 90 on the xGRID installation track.

Concealed wall installation box -

35 205 970 90

mm [inches]

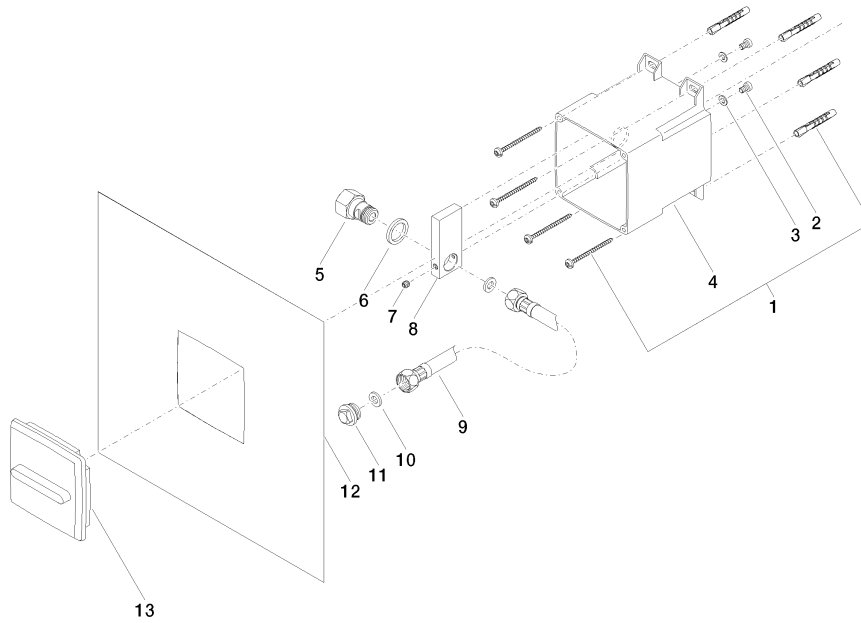


Certificates

LGA_18896.

Concealed wall installation box -

35 205 970 90



Spare parts list

No.	Item Number	Name	Quantity used	Delivery time
1	05 30 31 025 00 90	fixing set	2	2
2	09 30 30 112 90	screw	2	2
3	09 30 11 048 90	disc	2	2
4	09 11 11 032 90	accessories	1	60
5	09 24 03 200 20 90	nipple	1	2
6	09 14 05 001 90	seal	1	2
7	09 31 11 049 90	pin	1	2
8	09 17 20 096 90	holder	1	2
9	09 30 03 002 90	hose	1	2
10	09 14 20 007 90	seal	2	2
11	09 31 20 042 90	plug	1	2
12	04 14 03 118 00 90	gasket kit	1	2
13	09 11 01 096 90	cover	1	2